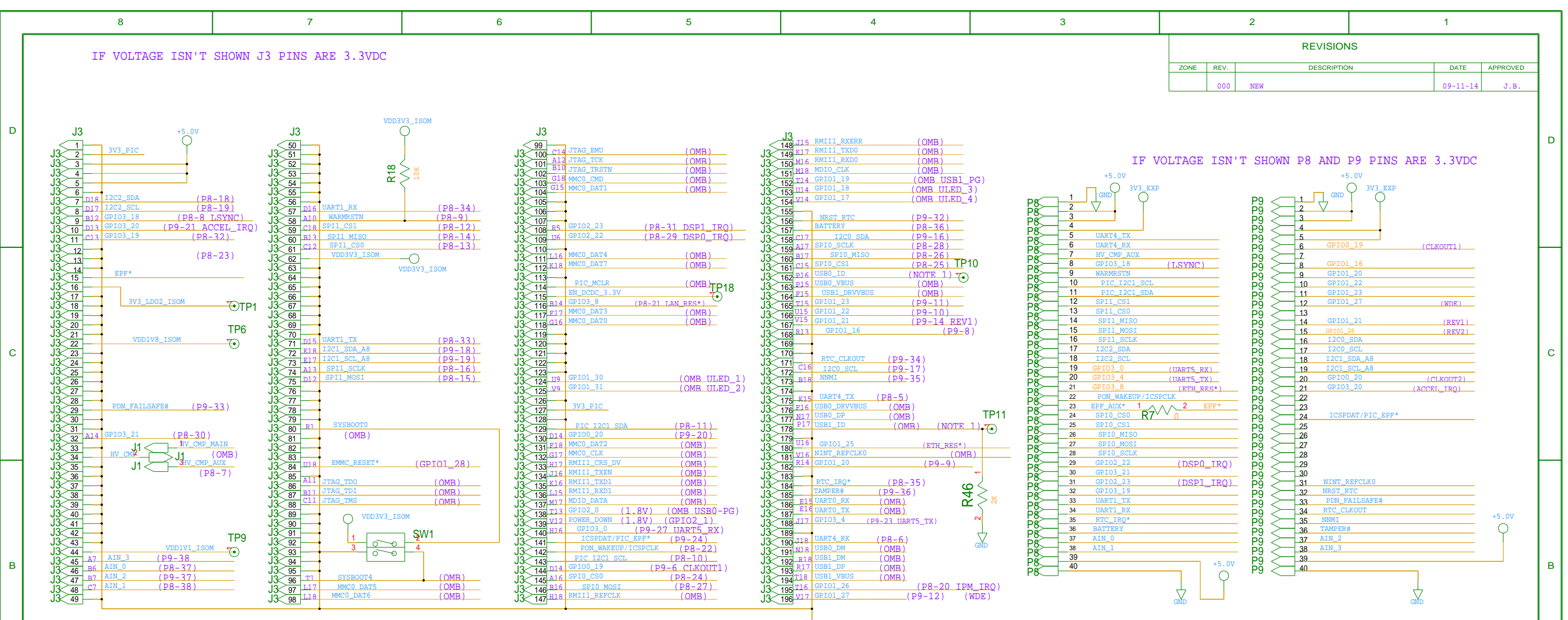
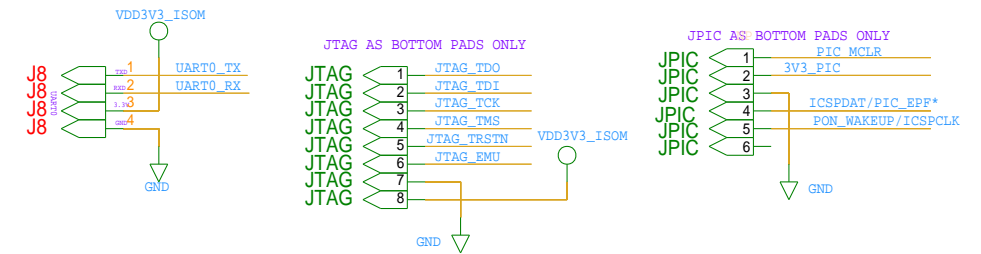
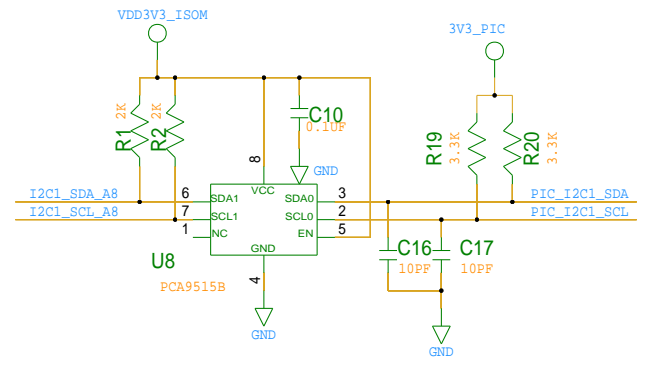
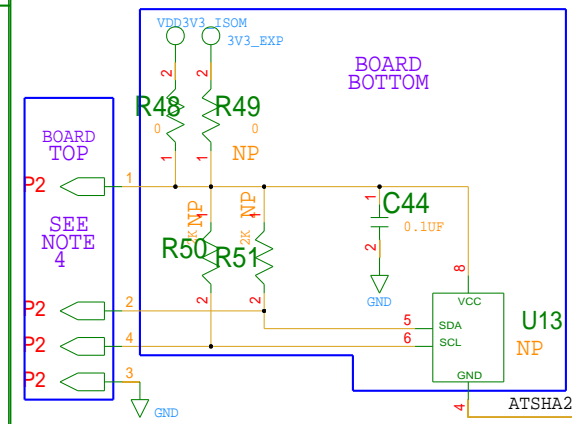


REVISIONS				
ZONE	REV.	DESCRIPTION	DATE	APPROVED
	000	NEW	09-11-14	J.B.



1. USBX\_ID FLOATING, CONFIGURE IN FIRMWARE
2. EPF\* IS A WIRED OR CONFIGURATION THE PULLUP IS ON THE LGA
3. SYSBOOT4 IS TIED TO SYSBOOT2 ON LGA
4. SEE CRYPTOBOARD DOCUMENT



NOTICE: ALL SHOWN SCHEMATIC VALUES ARE FOR REFERENCE ONLY REFER TO PRINTROOM BOM/SPL FOR ASSY. SPECIFIC VALUES AND PART NUMBERS

ASSEMBLY NUMBER	APPROVALS	DATE	TITLE
574329	DRAWN BY JRB	03-24-15	
	CHECKED BY JRB	03-24-15	
	RELEASED FOR INFORMATION JRB	03-24-15	
BOARD NUMBER 574328	APPROVED FOR ISSUE		

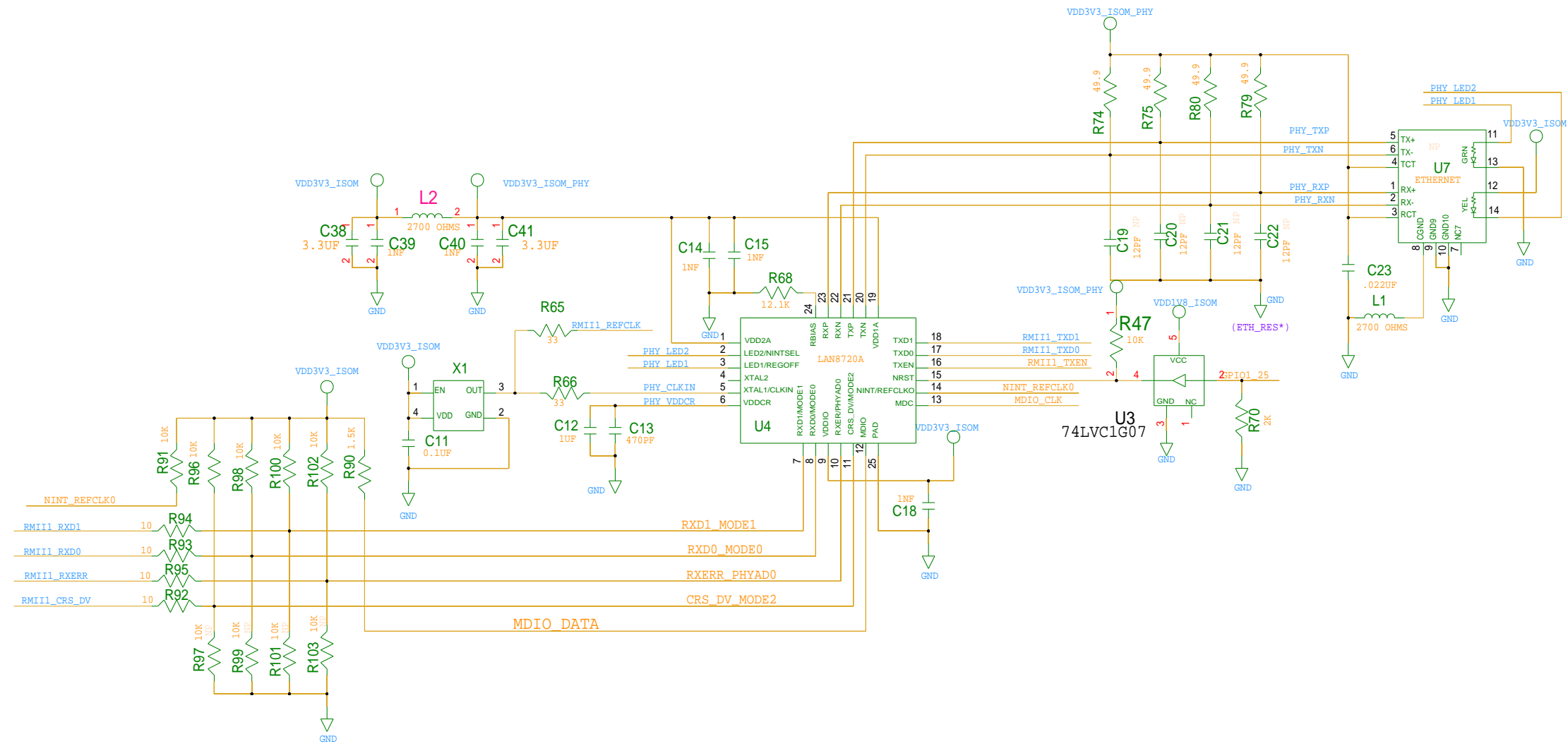
  

SIZE B	DWG. NO. S89743PBREV2
SCALE	SHEET 1 OF 5

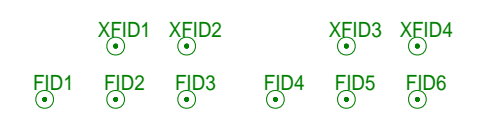
**CONFIDENTIAL AND PROPRIETARY INFORMATION NOTICE**

THIS DOCUMENT CONTAINS TRADE SECRETS AND CONFIDENTIAL INFORMATION OF ITRON, INC., AND SHALL NOT BE DUPLICATED IN WHOLE OR IN PART OR USED OR DISCLOSED FOR ANY PURPOSE OTHER THAN THAT APPROVED BY ITRON, INC., 315 NORTH HIGHWAY 11, WEST UNION, SOUTH CAROLINA 29696 ©COPYRIGHT 2015 BY ITRON, INC. ALL RIGHTS RESERVED.

REVISIONS				
ZONE	REV.	DESCRIPTION	DATE	APPROVED
	000	NEW	XX/XX/XX	X.X.



CONFIDENTIAL AND PROPRIETARY INFORMATION NOTICE  
 THIS DOCUMENT CONTAINS TRADE SECRETS AND CONFIDENTIAL INFORMATION OF ITRON, INC., AND SHALL NOT BE DUPLICATED IN WHOLE OR IN PART OR USED OR DISCLOSED FOR ANY PURPOSE OTHER THAN THAT APPROVED BY ITRON, INC., 315 NORTH HIGHWAY 11, WEST UNION, SOUTH CAROLINA 29696 ©COPYRIGHT 2015 BY ITRON, INC. ALL RIGHTS RESERVED.



NOTICE: ALL SHOWN SCHEMATIC VALUES ARE FOR REFERENCE ONLY REFER TO PRINTROOM BOM/SPL FOR ASSY. SPECIFIC VALUES AND PART NUMBERS

ASSEMBLY NUMBER	APPROVALS	DATE	ITRON, INC.	
	DRAWN BY			
	CHECKED BY		ISOM DK MAIN BOARD	
	RELEASED FOR INFORMATION		SIZE B	DWG. NO. S89743PWBREV2
BOARD NUMBER	APPROVED FOR ISSUE		SCALE	SHEET 2 OF 5
	Tue Jun 30 08:14:02 2015			

8

7

6

5

4

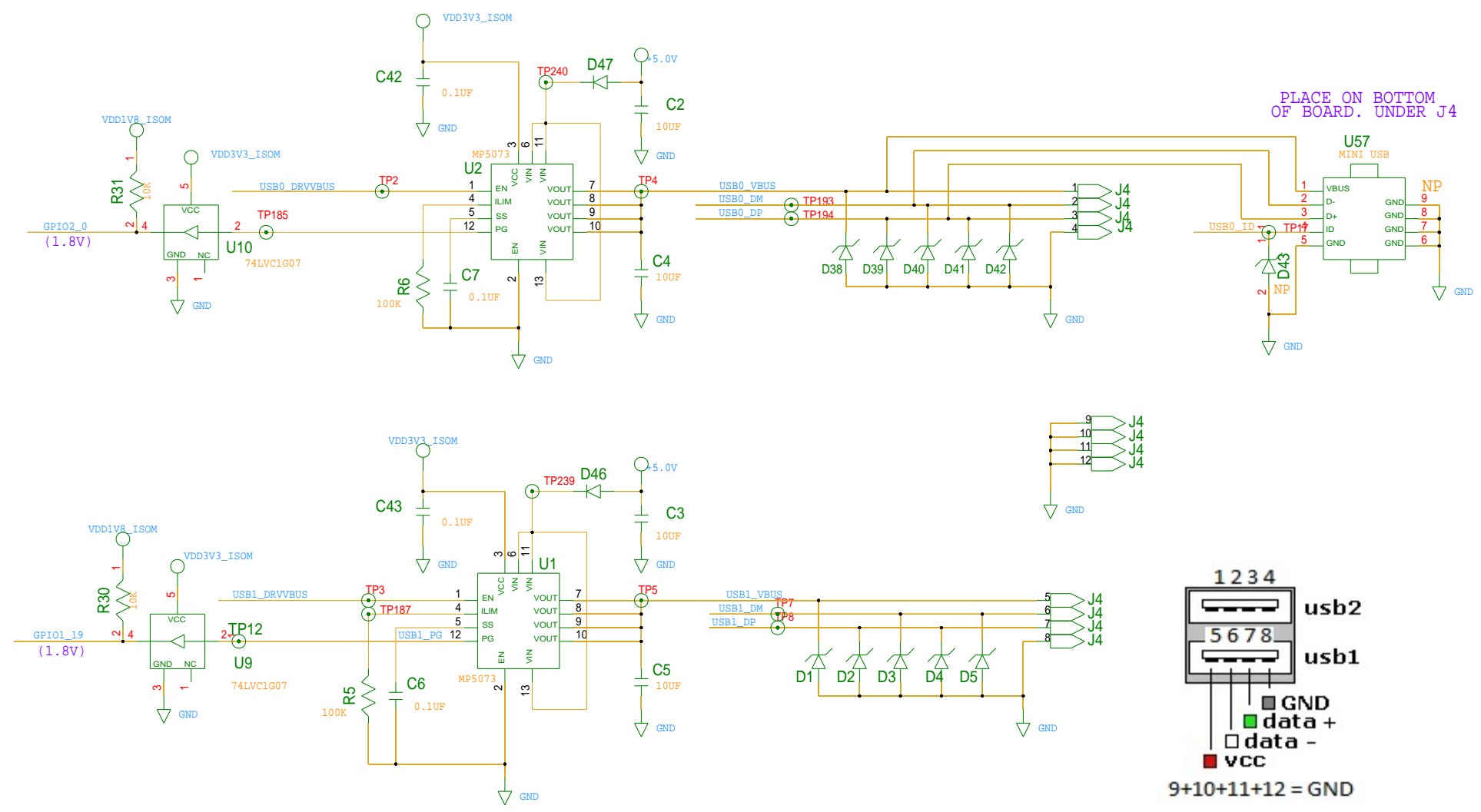
3

2

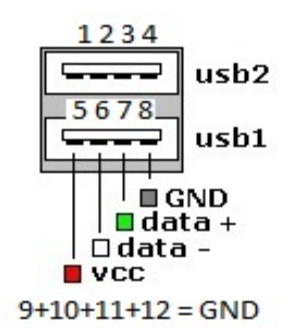
1

REVISIONS

ZONE	REV.	DESCRIPTION	DATE	APPROVED



PLACE ON BOTTOM OF BOARD. UNDER J4



NOTICE: ALL SHOWN SCHEMATIC VALUES ARE FOR REFERENCE ONLY REFER TO PRINTROOM BOM/SPL FOR ASSY. SPECIFIC VALUES AND PART NUMBERS

ASSEMBLY NUMBER	APPROVALS	DATE	<b>ITRON, INC.</b>	
	DRAWN BY			
	CHECKED BY		ISOM DK MAIN BOARD USB0 AND USB1	
	RELEASED FOR INFORMATION		SIZE	DWG. NO.
BOARD NUMBER	APPROVED FOR ISSUE		B	S89743PWBREV2
			SCALE	SHEET 3 OF 5

CONFIDENTIAL AND PROPRIETARY INFORMATION NOTICE

THIS DOCUMENT CONTAINS TRADE SECRETS AND CONFIDENTIAL INFORMATION OF ITRON, INC., AND SHALL NOT BE DUPLICATED IN WHOLE OR IN PART OR USED OR DISCLOSED FOR ANY PURPOSE OTHER THAN THAT APPROVED BY ITRON, INC., 313 NORTH HIGHWAY 11, WEST UNION, SOUTH CAROLINA 29696 ©COPYRIGHT 2015 BY ITRON, INC. ALL RIGHTS RESERVED.

8

7

6

5

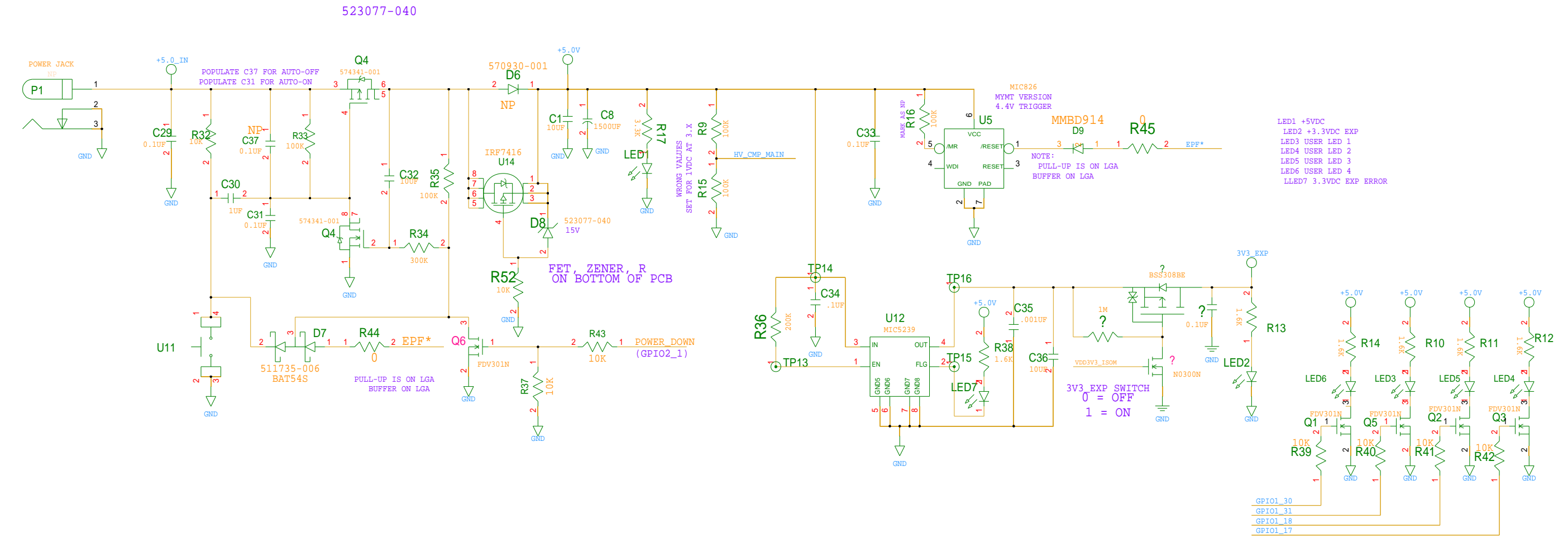
4

3

2

1

REVISIONS				
ZONE	REV.	DESCRIPTION	DATE	APPROVED

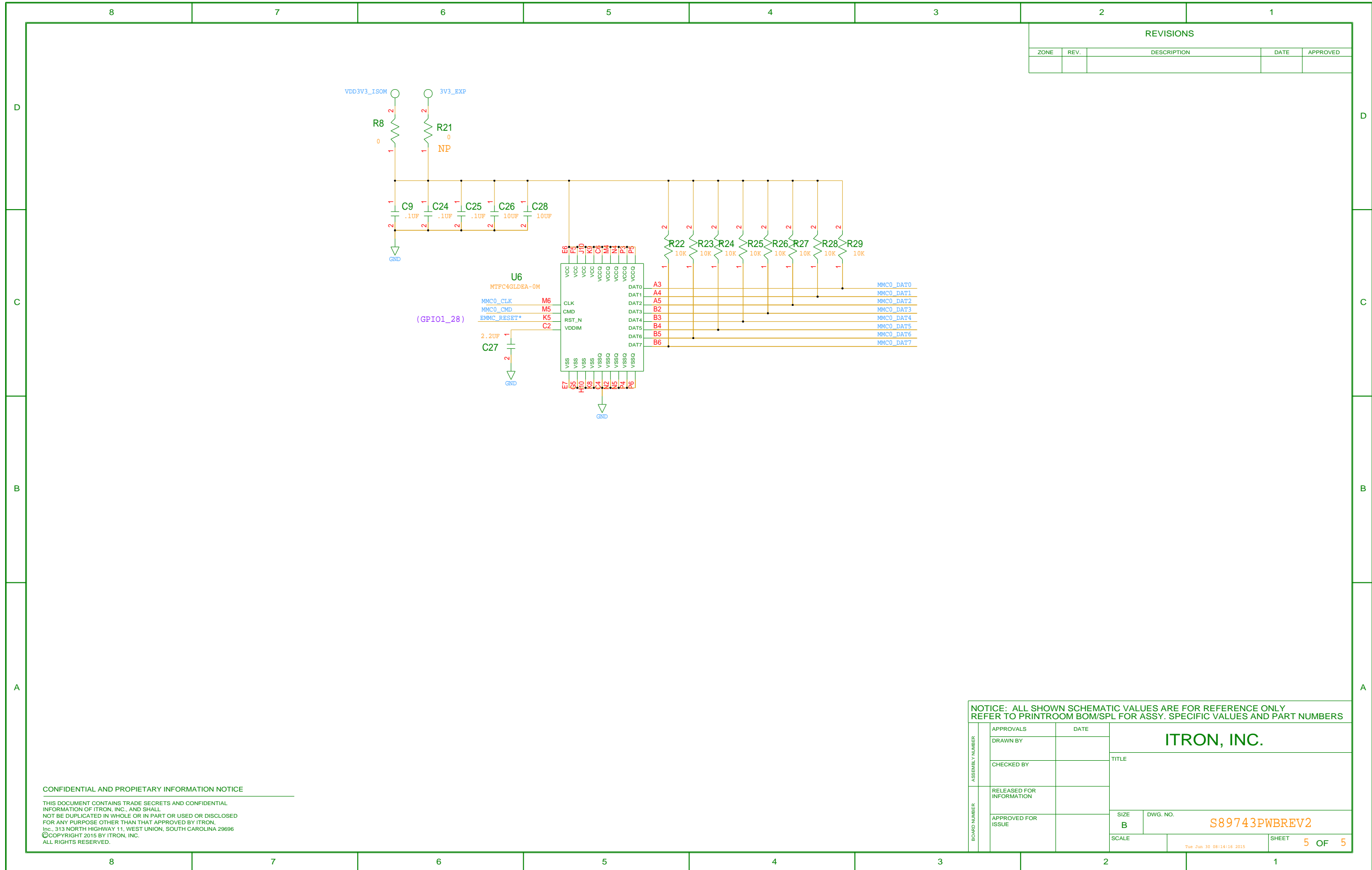


LED1 +5VDC  
 LED2 +3.3VDC EXP  
 LED3 USER LED 1  
 LED4 USER LED 2  
 LED5 USER LED 3  
 LED6 USER LED 4  
 LED7 3.3VDC EXP ERROR

NOTICE: ALL SHOWN SCHEMATIC VALUES ARE FOR REFERENCE ONLY REFER TO PRINTROOM BOM/SPL FOR ASSY. SPECIFIC VALUES AND PART NUMBERS

ASSEMBLY NUMBER	APPROVALS	DATE	<b>ITRON, INC.</b>	
	DRAWN BY			
	CHECKED BY		ISOM DK MAIN BOARD MICRO-SD CARD 3.3VDC AUX POWER SUPPLY 1.8VDC AUX POWER SUPPLY	
	RELEASED FOR INFORMATION		SIZE	DWG. NO.
BOARD NUMBER	APPROVED FOR ISSUE		B	S89743PWBREV2
			SCALE	Tue Jul 28 08:58:26 2015 SHEET 4 OF 5

CONFIDENTIAL AND PROPRIETARY INFORMATION NOTICE  
 THIS DOCUMENT CONTAINS TRADE SECRETS AND CONFIDENTIAL INFORMATION OF ITRON, INC., AND SHALL NOT BE DUPLICATED IN WHOLE OR IN PART OR USED OR DISCLOSED FOR ANY PURPOSE OTHER THAN THAT APPROVED BY ITRON, INC., 315 NORTH HIGHWAY 11, WEST UNION, SOUTH CAROLINA 29696 ©COPYRIGHT 2015 BY ITRON, INC. ALL RIGHTS RESERVED.



REVISIONS				
ZONE	REV.	DESCRIPTION	DATE	APPROVED

NOTICE: ALL SHOWN SCHEMATIC VALUES ARE FOR REFERENCE ONLY  
REFER TO PRINTROOM BOM/SPL FOR ASSY. SPECIFIC VALUES AND PART NUMBERS

ASSEMBLY NUMBER	APPROVALS	DATE	ITRON, INC.	
	DRAWN BY			
BOARD NUMBER	CHECKED BY		TITLE	
	RELEASED FOR INFORMATION		SIZE B	DWG. NO. S89743PBREV2
	APPROVED FOR ISSUE		SCALE	Tue Oct 30 08:14:16 2015 SHEET 5 OF 5

**CONFIDENTIAL AND PROPRIETARY INFORMATION NOTICE**  
THIS DOCUMENT CONTAINS TRADE SECRETS AND CONFIDENTIAL INFORMATION OF ITRON, INC., AND SHALL NOT BE DUPLICATED IN WHOLE OR IN PART OR USED OR DISCLOSED FOR ANY PURPOSE OTHER THAN THAT APPROVED BY ITRON, INC., 313 NORTH HIGHWAY 11, WEST UNION, SOUTH CAROLINA 29696 ©COPYRIGHT 2015 BY ITRON, INC. ALL RIGHTS RESERVED.