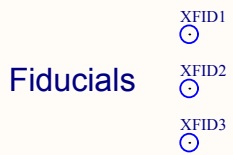
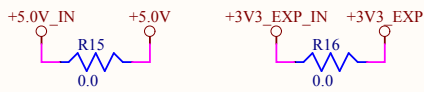
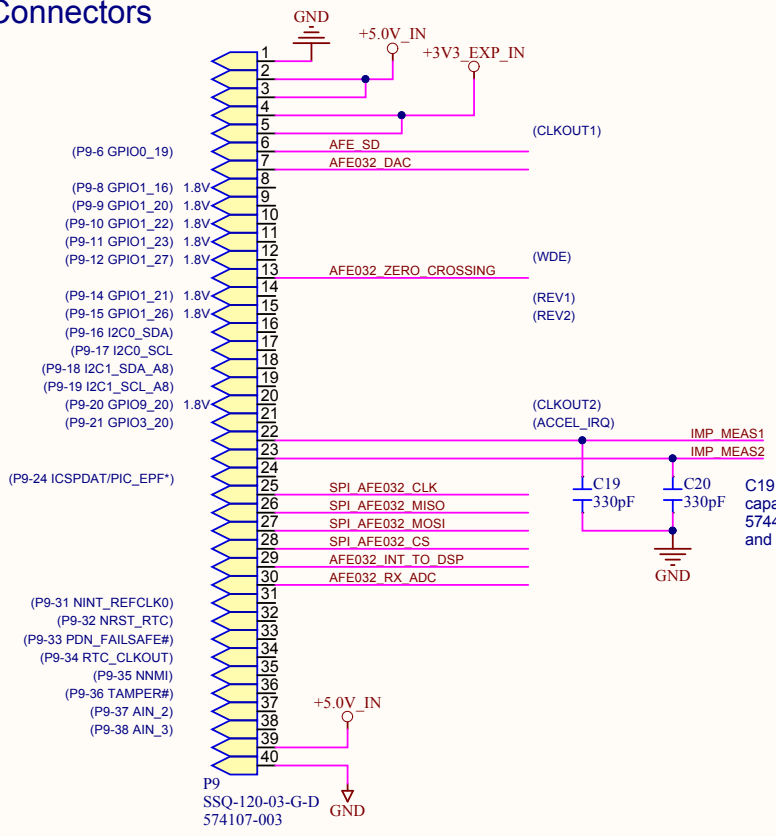
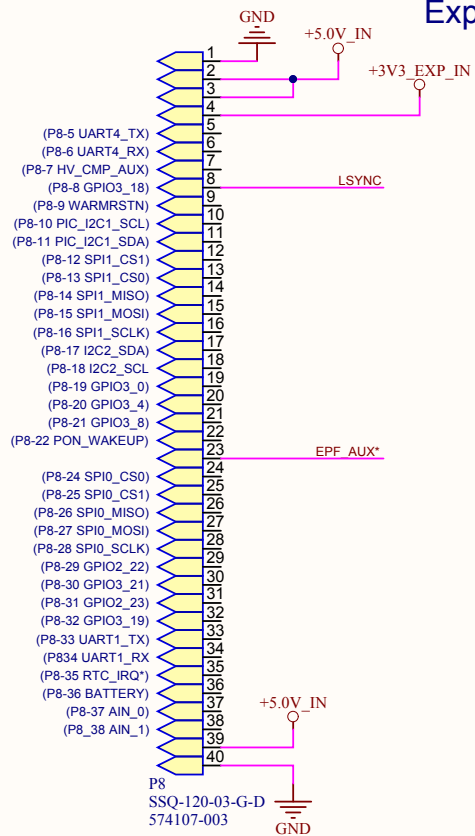

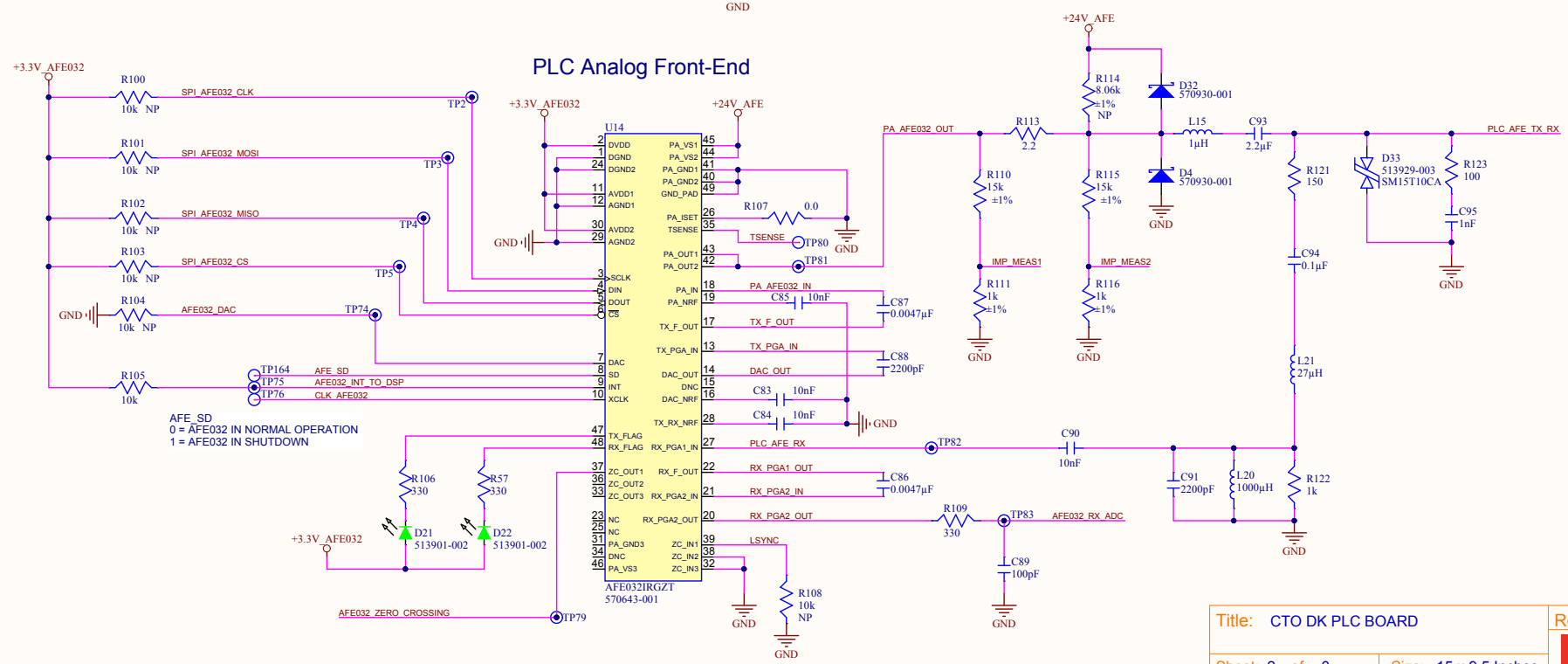
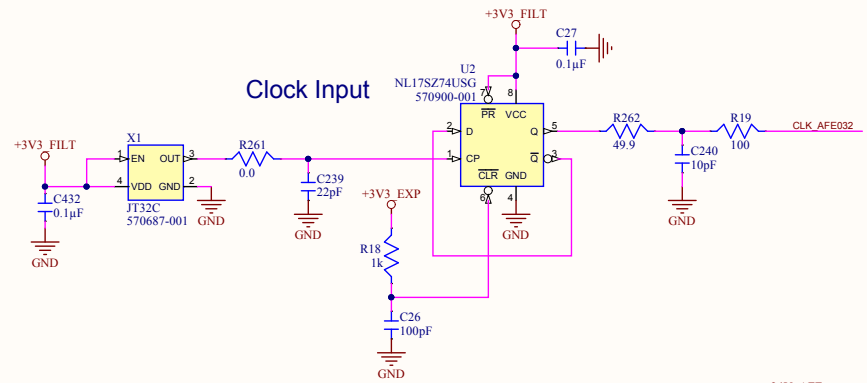



Expansion Connectors



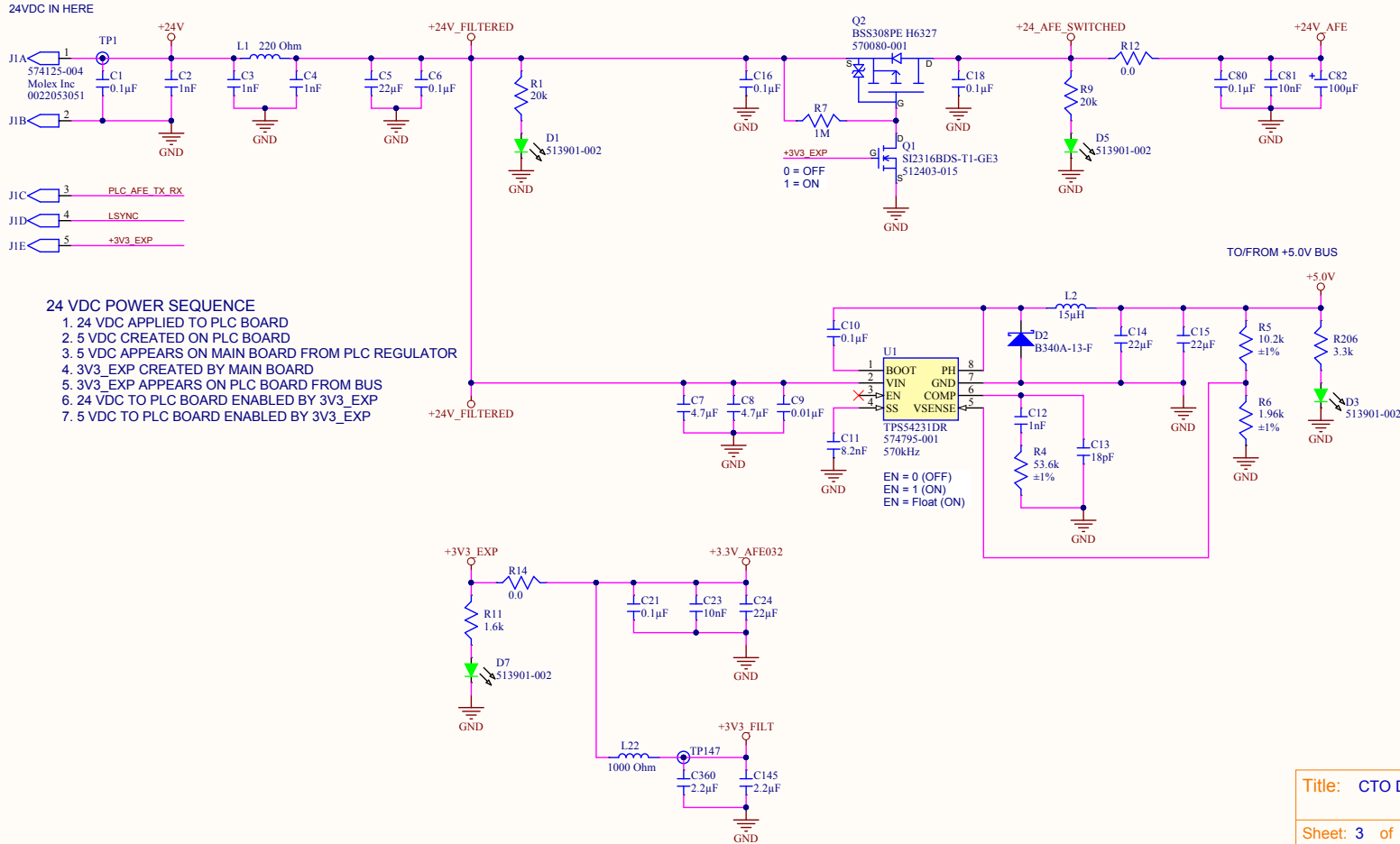
C19 & C20 to compensate for low capacitance on C250 and C251 on 574404r1 prototypes. Make C19 and C20 NP for manufacturing.


Title: CTO DK PLC BOARD		Rev: 1	
Sheet: 1 of 3	Size: A4		
Date: 7/22/2015	Time: 2:37:21 PM		
Engineer: FlatEarth, Inc.			
File: C:\WillTidd\Clients\Itron\Schematic_Layout\574414\1.SchDoc			



Title: CTO DK PLC BOARD		Rev: 1
Sheet: 2 of 3	Size: 15 x 9.5 Inches	
Date: 7/22/2015	Time: 2:37:21 PM	
Engineer: FlatEarth, Inc.		
File: C:\WillTidd\Clients\Itron\Schematic_Layout\574414\2_SchDoc		

Power Sequencing



Title: CTO DK PLC BOARD		Rev: 1
Sheet: 3 of 3	Size: 15 x 9.5 Inches	
Date: 7/22/2015	Time: 2:37:21 PM	
Engineer: FlatEarth, Inc.		
File: C:\WillTidd\Clients\Itron\Schematic_Layout\574414\3.SchDoc		