



EquaScan Master^{RF}

RF unit for mobile data collection

The Master^{RF} is part of the Itron EquaScan walk-by System for mobile data reading. The Master^{RF} serves as a RF unit for bidirectional communication with Itron EquaScan electronic heat cost allocators and meter modules.

FEATURES

- » Flexible use
- » Easy to operate
- » Can be used with every laptop and PC with a Bluetooth interface
- » Reliable, bidirectional radio transmission
- » Innovative data collision management

Automatic radio meter reading considerably increases the efficiency of data collection:

- » 100% access to meter data
- » Comfortable data collection for meters which are difficult to access
- » No errors in reading or copying down data
- » Direct implementation of data into EDP

Flexible use

All Itron EquaScan radio communication modules can be read with the Master^{RF}. A Bluetooth interface transmits the received data to the recording device (e.g. a laptop or PC with a Bluetooth interface). The Master^{RF} can autonomously store up to 16,000 data sets and can therefore offer complete data security in the event of a malfunction with the recording

device. A full battery covers a whole working day. The collected data is transmitted to the chosen recording device using the Itron EquaScan software, where it can be processed, analysed and saved.

Easy to operate

The Master^{RF} is a compact radio receiver for WalkBy data collection. A robust and ergonomic design with an integrated antenna and a practical belt clip enables the Master^{RF} to be carried easily. The user can connect the Master^{RF} wireless to his

recording device via Bluetooth interface. Four LEDs provide information on the operating condition of the device and the radio system.

- » Power indicator
- » Battery or plug-in indicator
- » RF communication to EquaScan meter modules and heat cost allocators
- » Bluetooth communication to the recording device

Water meter radio module
wMIU^{RF}



Electronic heat cost allocator
eHCA^{RF}



Radio unit
Master^{RF}



EquaScan Software



2-way communication

2-way communication

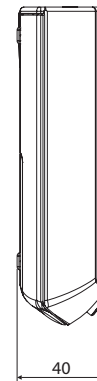
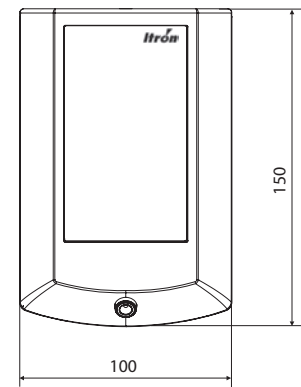
Bluetooth

Master^{RF} Architecture

Technical data

Radio specifications	
Protocol	EN 13757-3/-4 wireless M-Bus
Operating mode	C2 Mode
Modulation	GFSK-Principle (Gaussian Frequency Shift Keying)
Frequency band	868 MHz
Transceiver parameters	20 dBm
Transmission	Symmetrical 2-way communication
Output	
Interface	Bluetooth (Version 2.1 / Class 2)
Power supply	4x AA rechargeable batteries (min. 1.500 mA) (rechargeable batteries included)
Plug connection	12 V mains adapter (mains adapter included)
Characteristics	
Dimensions	150 x 100 x 40 mm
Weight	192 g (without batteries)
Protection class	IP54
Operating temperature	-10°C / +55°C
Storage temperature	-20°C / +70°C

Dimensions



LEDs provide information on the operating condition

SYSTEM FOR MOBILE DATA COLLECTION

The Master^{RF} enables simple WalkBy data reading. Data is exchanged via radio in a bidirectional way between EquaScan radio modules and the Master^{RF}. The innovative data collision management ensures a reliable and optimal data exchange.

In connection with the Itron EquaScan software, the Master^{RF} presents a complete system for mobile, automated data collection. The EquaScan software is a menu-guided and intuitive application which is easy to use on a computer.

The data is transferred simply via Bluetooth interface between the Master^{RF} and the recording device. Additional software functions enable individual data filters to be set for reading the relevant required values and meter modules. The Master^{RF} is easy to activate and can be configured individually.

Accessories

12V mains adapter (100-240 V input / 12 V output)



Itron is a global technology company. We build solutions that help utilities measure, monitor and manage energy and water. Our broad product portfolio includes electricity, gas, water and thermal energy measurement and control technology; communications systems; software; and professional services. With thousands of employees supporting nearly 8.000 utilities in more than 100 countries, Itron empowers utilities to responsibly and efficiently manage energy and water resources. Join us in creating a more resourceful world; start here: www.itron.com

Although Itron makes every effort to ensure that the content of marketing material is as up-to-date and accurate as possible, Itron cannot be held responsible for the accuracy, completeness or suitability of this material. Itron expressly disclaims any liability for errors or omissions. No responsibility can be taken for this marketing material, neither explicitly nor implicitly or by statute, including, but not restricted to, warranties of any kind regarding non-infringement of rights and claims of third parties or regarding usability and suitability for a certain purpose.

ITRON ALLMESS GMBH

Am Voßberg 11
23758 Oldenburg i.H.
Germany

Tel: +49 (0) 43 61/62 5-0
Fax: +49 (0) 43 61/62 5-250

www.itron.com